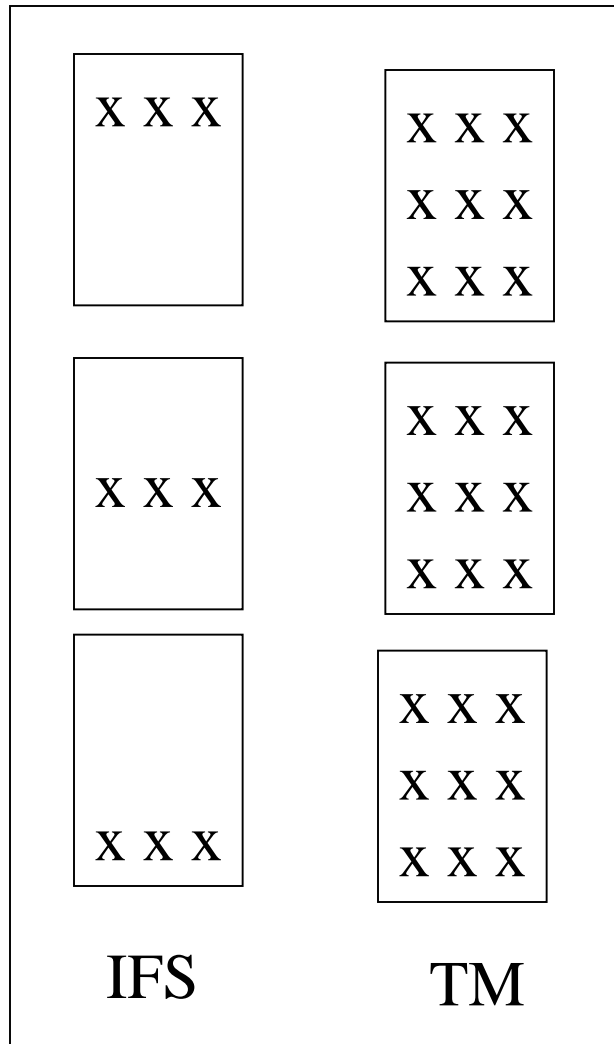
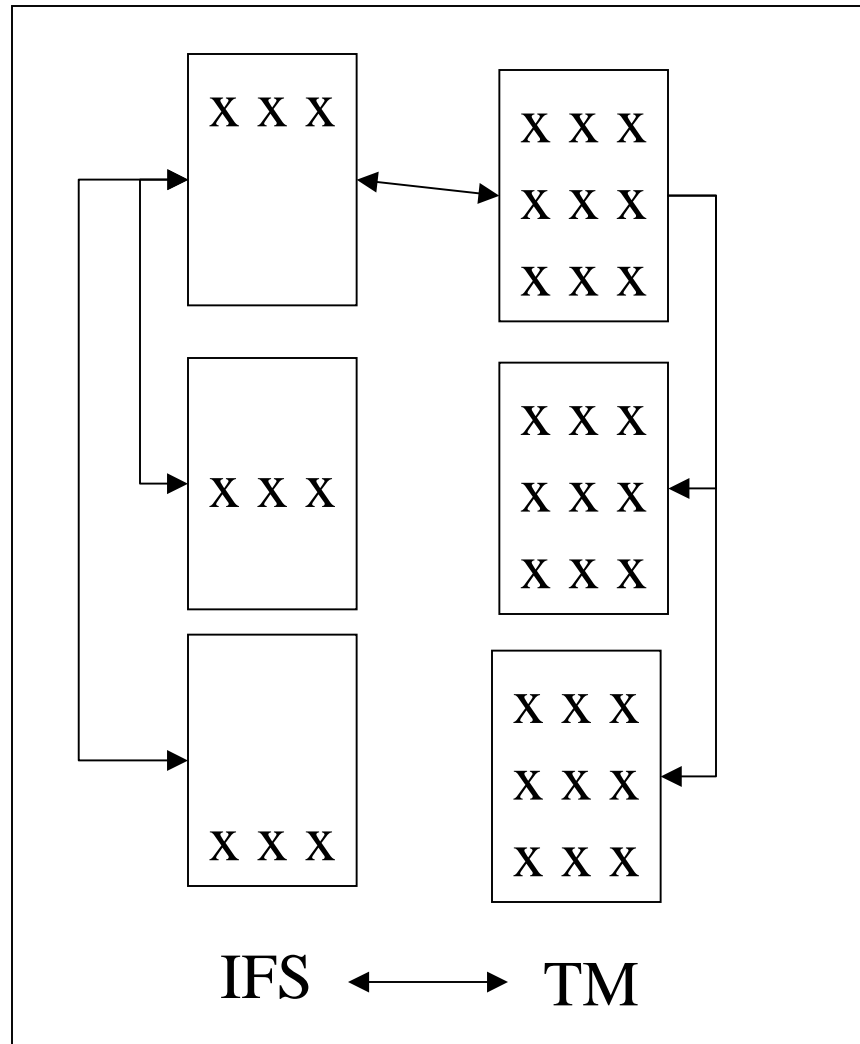


Gridless fields (1/2)

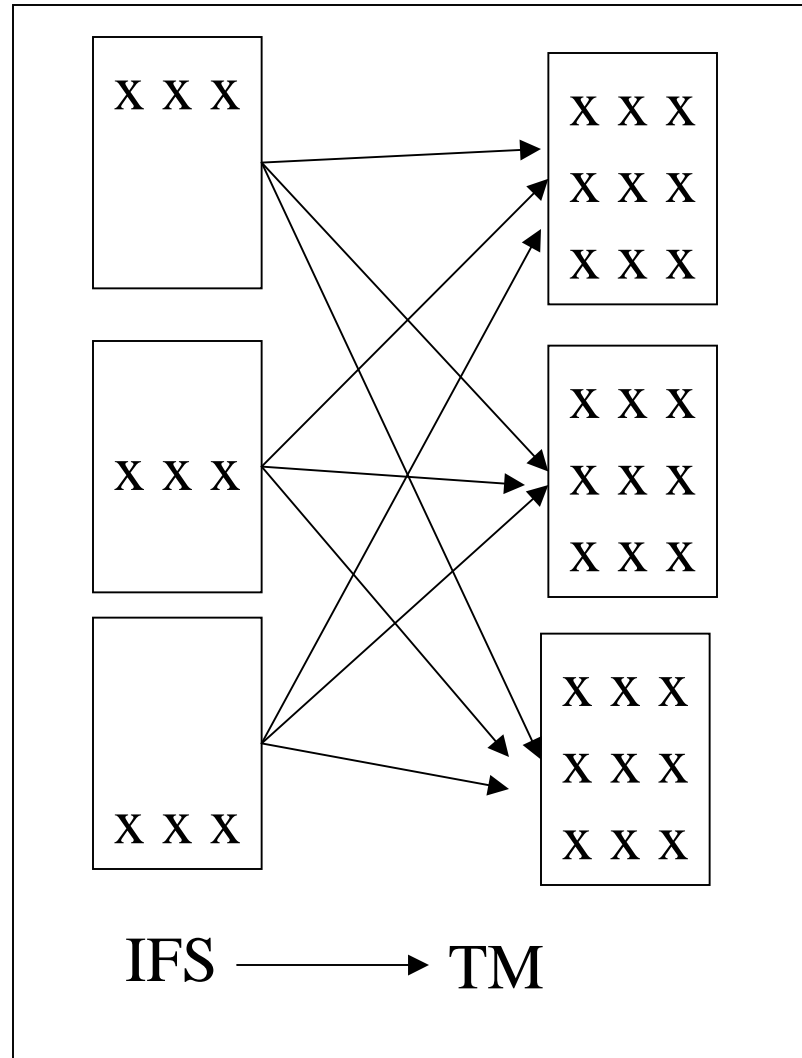
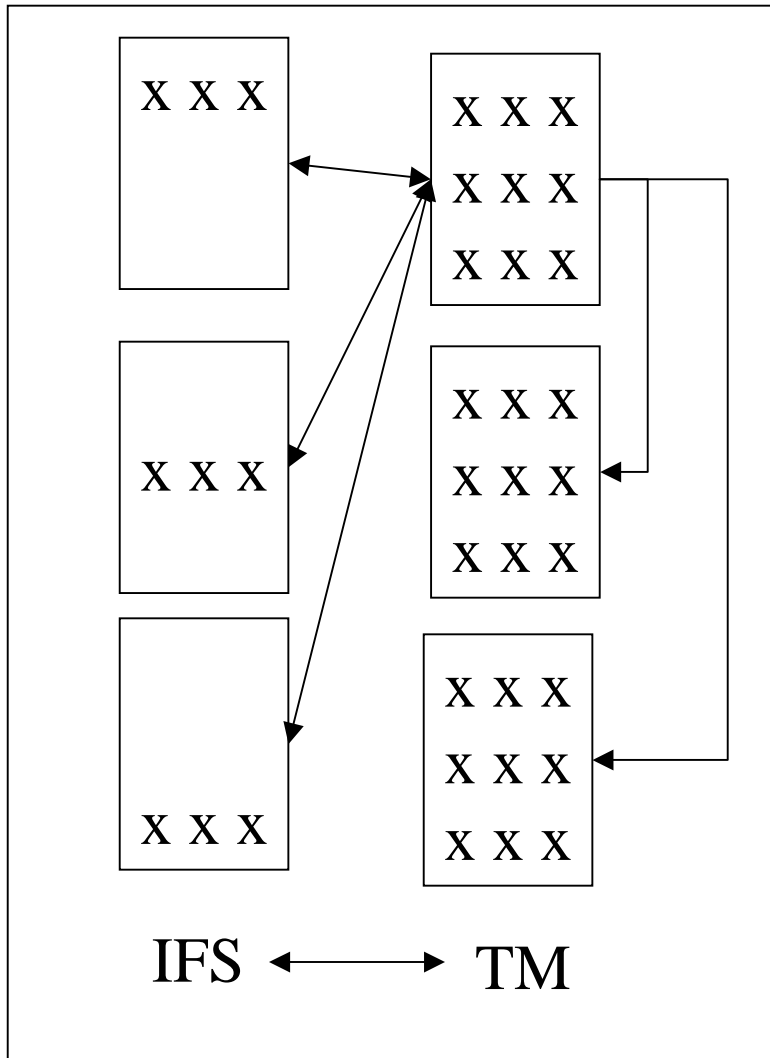


partitioning



1- Possible exchange through master processes

Gridless fields (2/2)



2- Possible exchange through master process for TM only

3- Possible exchange « One to many »;
From IFS to TM only